



Transport trolleys Series K professional

For load weights up to 28 metric tons



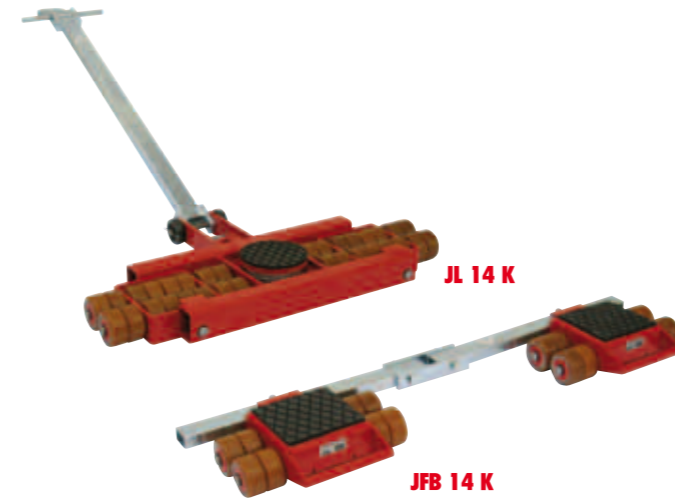
JLB 7 K

JFB 7 K



JL 10 K

JFB 10 K



JL 14 K

JFB 14 K

Transport trolleys Series K professional

For load weights up to 28 metric tons

Available with:

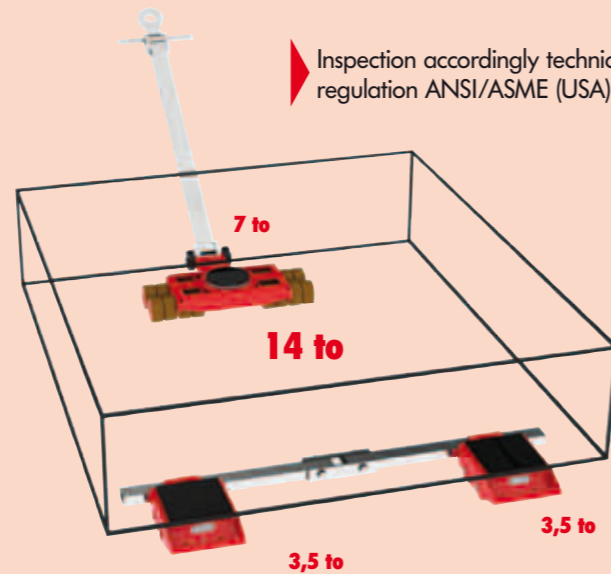
Professional castor JUVathan® plus coated aluminium castor



for any floors
Order number 95 050 089-D

Please refer to page 32-33 for additional roller information.

Example for load distribution on 14 tons trolley combination:

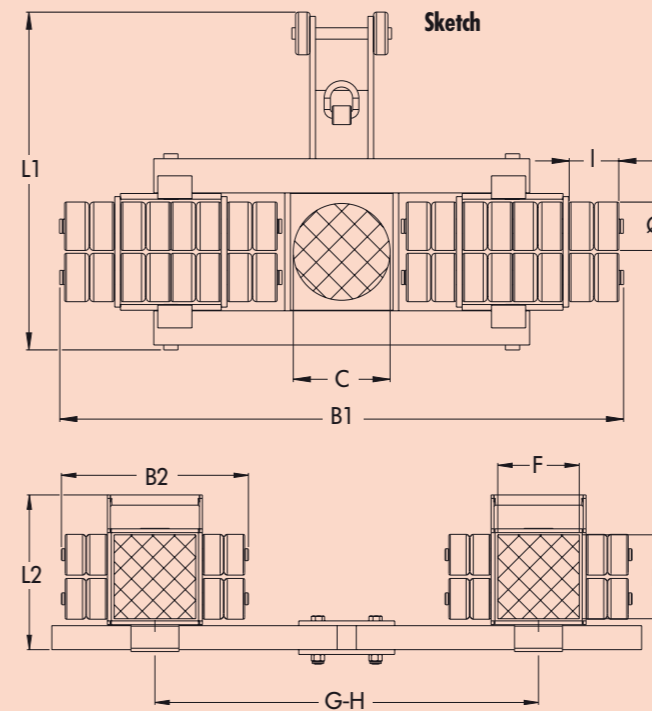


Inspection accordingly technical regulation ANSI/ASME (USA)



Castors with ball bearings guarantee easy motion

Type	Sketch	14 metric tons		20 metric tons	
		JLB 7 K	JFB 7 K	JL 10 K	JFB 10 K
Load capacity	kg/lbs	7 000 / 15 400	2x 3 500 / 2x 7 700	10 000 / 22 000	2x 5 000 / 2x 11 000
Number of castors	pcs	8	8	12	12
Castors dimensions	Ø x l mm/in	85 x 85 / 3.3 x 3.3"	85 x 85 / 3.3 x 3.3"	85 x 85 / 3.3 x 3.3"	85 x 85 / 3.3 x 3.3"
Fitting height	mm/in	110 / 4.3"	110 / 4.3"	110 / 4.3"	110 / 4.3"
Supporting surface per cassette	E x F mm/in		175 x 170 / 6.9 x 6.7"		175 x 170 / 6.9 x 6.7"
Cassette dimensions	L2 x B2 mm/in		325 x 200 / 12.8 x 7.9"		325 x 390 / 12.8 x 15.4"
Connecting rod with joint	Length mm/in		1 230 / 48.4"		1 230 / 48.4"
Cassettes adjustable from - to	G - H mm/in		400 - 1 030 / 15.7 - 40.6"		400 - 1 030 / 15.7 - 40.6"
Supporting surface of turnable	Ø C mm/in		150 / 5.9"		170 / 6.7"
Dimensions	L1 x B1 mm/in		445 x 590 / 17.5 x 23.2"		580 x 820 / 22.8 x 32.3"
Handlebar with pulling eye	Length mm/in		1 120 / 44.1"		1 120 / 44.1"
Weight professional	kg/lbs		36 / 79		56 / 123
Order-no. with professional			07 071 085-D	08 071 085-D	07 100 085-D



Type	Sketch	Load weight up to
Load capacity	kg/lbs	28 metric tons
Number of castors	pcs	16
Castor dimensions	Ø x l mm/in	85 x 85 / 3.3 x 3.3"
Fitting height	mm/in	110 / 4.3"
Supporting surface per cassette	E x F mm/in	175 x 170 / 6.9 x 6.7"
Cassette dimensions	L2 x B2 mm/in	325 x 390 / 12.8 x 15.4"
Connecting rod with joint	Length mm/in	1 230 / 48.4"
Cassettes adjustable from - to	G - H mm/in	400 - 1 030 / 15.7 - 40.6"
Supporting surface of turntable	Ø C mm/in	170 / 6.7"
Dimensions	L1 x B1 mm/in	580 x 100 / 22.8 x 39.3"
Handlebar with pulling eye	Length mm/in	1 120 / 44.1"
Weight professional	kg/lbs	68 / 150
Order-no. with professional		07 140 085-D

Advantages in detail

- Galvanized axles and safety clip rings for improved protection against corrosion.
- The double roller design results in dramatically easier steering due to reduced friction forces in curves. The much lower friction resistance also causes the rollers on the rear axis to follow in a truer course.
- You need 30% less power for steering.
- Higher capacity at same dimension as Series K trolleys.
- All transport trolleys are ready for use: Steerable transport trolley includes ball bearing supported turntable and a handlebar, the adjustable-width transport trolley consists of two load cassettes and connecting rod.
- Non-marking support wheels.
- The Series K handle bars are now also available with a removable handle. (See on page 31).

Removable handle



Inspection accordingly technical regulation ANSI/ASME (USA)

Type	Sketch	Load weight up to
Load capacity	kg/lbs	28 metric tons
Number of castors	pcs	16
Castor dimensions	Ø x l mm/in	85 x 85 / 3.3 x 3.3"
Fitting height	mm/in	110 / 4.3"
Supporting surface per cassette	E x F mm/in	175 x 170 / 6.9 x 6.7"
Cassette dimensions	L2 x B2 mm/in	325 x 390 / 12.8 x 15.4"
Connecting rod with joint	Length mm/in	1 230 / 48.4"
Cassettes adjustable from - to	G - H mm/in	400 - 1 030 / 15.7 - 40.6"
Supporting surface of turntable	Ø C mm/in	170 / 6.7"
Dimensions	L1 x B1 mm/in	580 x 100 / 22.8 x 39.3"
Handlebar with pulling eye	Length mm/in	1 120 / 44.1"
Weight professional	kg/lbs	39 / 86
Order-no. with professional		08 141 085-D

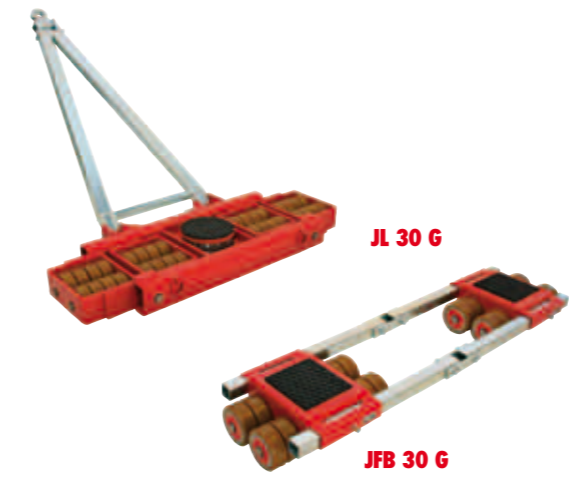
Transport trolleys Series G professional

For load weights up to 60 metric tons



Transport trolleys Series G professional

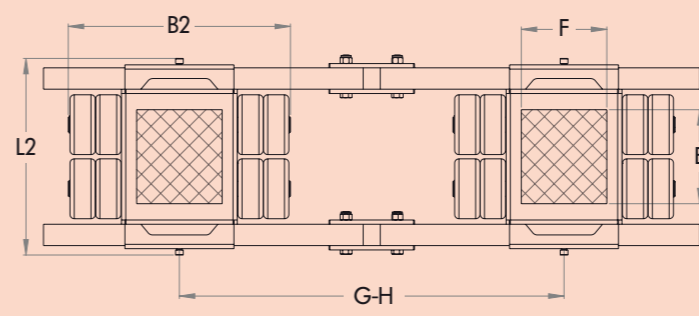
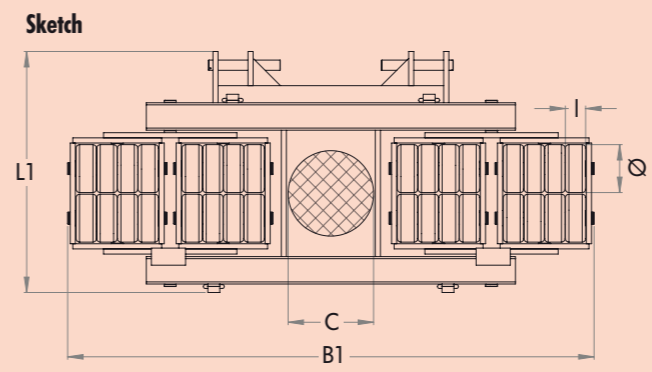
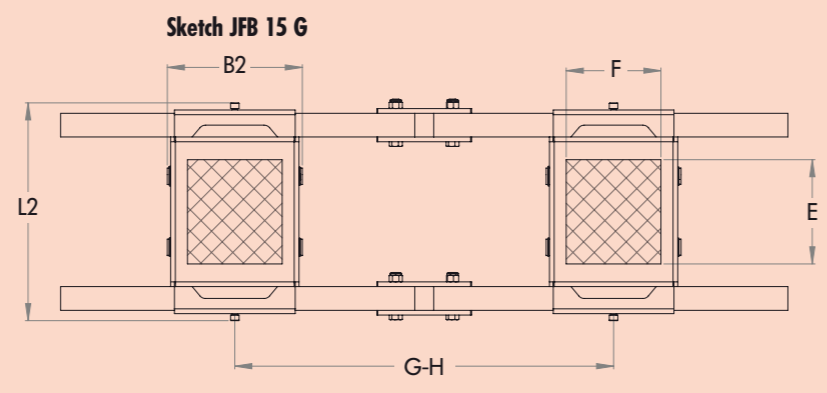
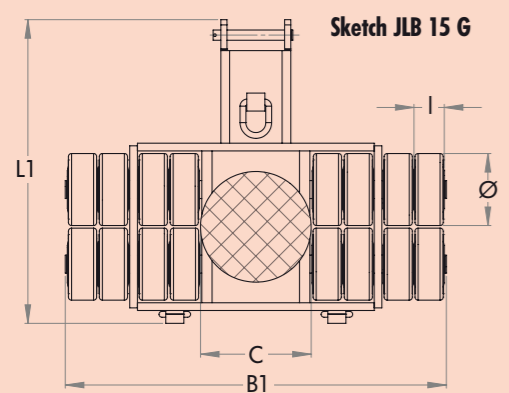
For load weights up to 60 metric tons



Available with:
JUWAthan® plus-coated aluminium core

for any floors
Order number 95 050 047-V

Please refer to page 32-33 for additional roller information.



Advantages in detail

- Pivoting roller cassettes within the frame assure even pressure distribution across all rollers and across the floor. No need for complex and expensive hydraulic compensation system.
- The double roller design results in dramatically easier steering due to reduced friction forces in curves. The much lower friction resistance also causes the rollers on the rear axis to follow in a truer course.
- All transport trolleys are ready for use: The steerable transport trolley is fitted with a ball bearing supported turntable and a handlebar (as shown in picture). The adjustable-width transport trolley consists of two transport units and connecting rod.

Type	Sketch	30 metric tons		45 metric tons	
		JLB 15 G	JFB 15 G	JLB 22 G	JFB 22 G
Load capacity	kg / lbs	15 000 / 33 000	2x 7 500 / 2x 16 500	22 500 / 49 500	2x 11 250 / 2x 24 750
Number of castors	pcs	16	16	24	24
Castor dimensions	Ø x l	mm / in	140 x 59 / 5.5 x 2.3"	140 x 59 / 5.5 x 2.3"	140 x 59 / 5.5 x 2.3"
Fitting height	mm / in	180 / 7.1"	180 / 7.1"	180 / 7.1"	180 / 7.1"
Supporting surface per cassette	E x F	mm / in	220 x 200 / 8.6 x 7.8"	220 x 200 / 8.6 x 7.8"	220 x 200 / 8.6 x 7.8"
Cassette dimensions	L2 x B2	mm / in	460 x 285 / 18.0 x 11.1"	460 x 400 / 18.0 x 20.6"	460 x 400 / 18.0 x 20.6"
Connecting rod with joint	Length	mm / in	2 x 1 540 / 60.6"	2 x 1 540 / 60.6"	2 x 1 540 / 60.6"
Cassettes adjustable from - to	G - H	mm / in	475 - 1 300 / 18.7 - 54.3"	530 - 1 300 / 20.7 - 54.3"	530 - 1 300 / 20.7 - 54.3"
Supporting surface of turntable	Ø C	mm / in	215 / 8.5"	215 / 8.5"	215 / 8.5"
Dimensions	L1 x B1	mm / in	565 x 741 / 22.2 x 29.1"	565 x 981 / 22.2 x 38.6"	565 x 981 / 22.2 x 38.6"
Handlebar with pulling eye	Length	mm / in	1 230 / 48.4"	1 450 / 57"	1 450 / 57"
Weight JUWAthan plus	kg / lbs	96 / 212	88 / 194	129 / 284	113 / 249
Order-no. with JUWAthan plus		09 151 140-V	10 151 140-V	09 221 140-V	10 221 140-V

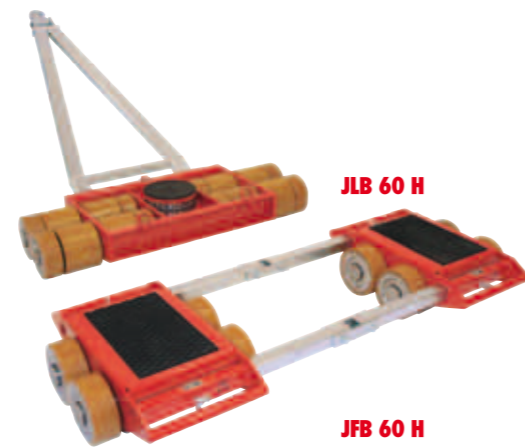
Type	Sketch	60 metric tons	
		JL 30 G	JFB 30 G
Load capacity	kg / lbs	30 000 / 66 100	2x 15 000 / 2x 33 050
Number of castors	pcs	32	32
Castor dimensions	Ø x l	mm / in	140 x 59 / 5.5 x 2.3"
Fitting height	mm / in	180 / 7.1"	180 / 7.1"
Supporting surface per cassette	E x F	mm / in	220 x 200 / 8.6 x 7.8"
Cassette dimensions	L2 x B2	mm / in	460 x 528 / 18.0 x 20.6"
Connecting rod with joint	Length	mm / in	2 x 1 540 / 60.6"
Cassettes adjustable from - to	G - H	mm / in	530 - 1 300 / 20.7 - 54.3"
Supporting surface of turntable	Ø C	mm / in	250 / 9.4"
Dimensions	L1 x B1	mm / in	750 x 1 550 / 29.5 x 61"
Handlebar with pulling eye	Length	mm / in	1 590 / 62.6"
Weight JUWAthan plus	kg	312 / 688	126 / 278
Order-no. with JUWAthan plus		09 301 140-V	10 302 140-V

*other lengths on request



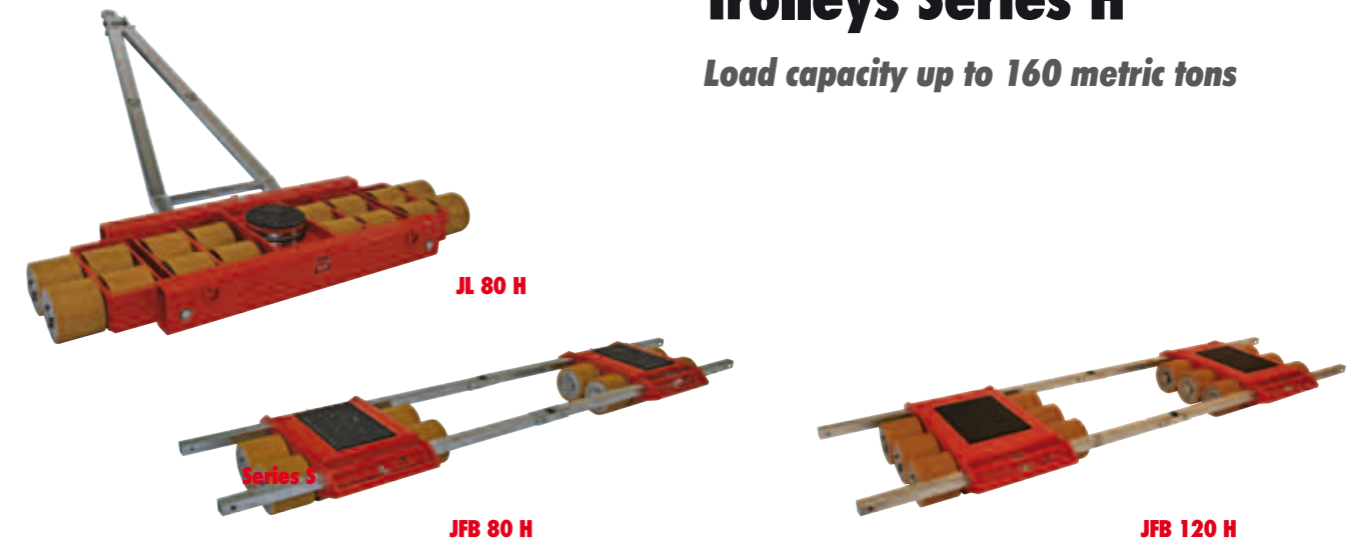
Trolleys Series H

Load capacity up to 120 metric tons



Trolleys Series H

Load capacity up to 160 metric tons



Available with:
JUWathan-coated steel castors



for any floors
Order number 95 050 053-V

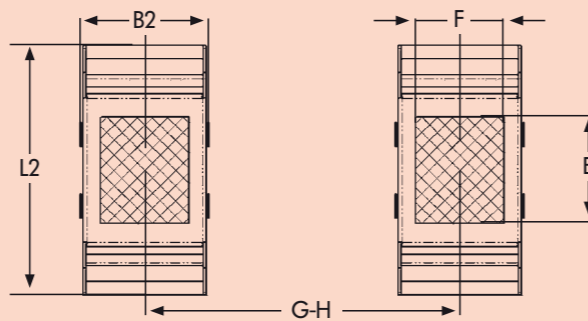
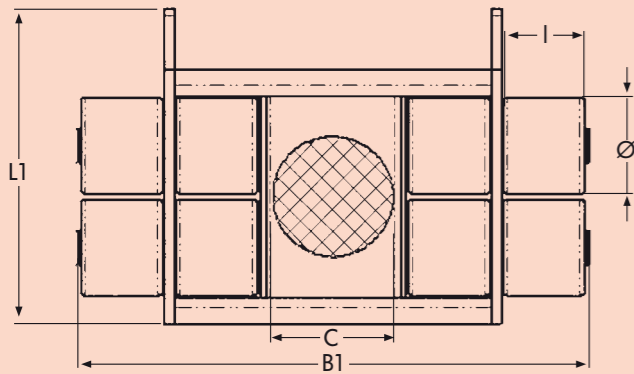
Available with:
JUWathan-coated steel castors



for any floors
Order number 95 050 090-V

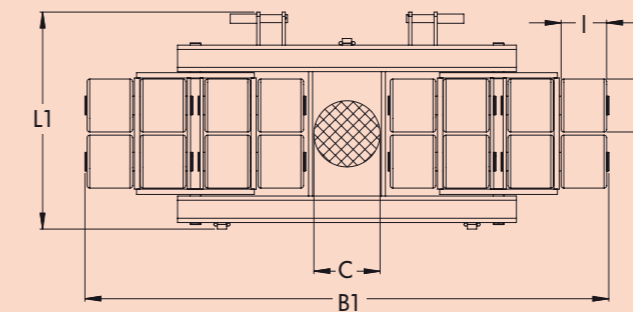


Please refer to page 32-33 for additional roller information

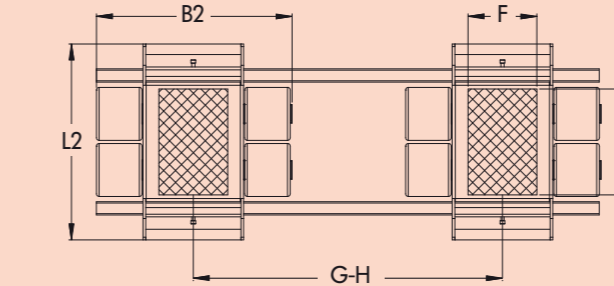


Type	Sketch	80 metric tons		120 metric tons	
		JLB 40 H	JFB 40 H	JLB 60 H	JFB 60 H
Load capacity	kg / lbs	40 000 / 88 000	2x 20 000 / 2x 44 000	60 000 / 132 000	2x 30 000 / 2x 66 000
Number of castors	pcs	8	8	8 / 8	8 / 8
Castors dimensions	Ø x l	mm / in 200 x 170 / 7.9 x 6.7"	200 x 170 / 7.9 x 6.7"	200 x 170 / 7.9 x 6.7"	200 x 170 / 7.9 x 6.7"
Fitting height	mm / in	230 / 9.1"	230 / 9.1"	230 / 9.1"	230 / 9.1"
Supporting surface per cassette	E x F	mm / in	395 x 260 / 15.6 x 10.2"	395 x 260 / 15.6 x 10.2"	395 x 260 / 15.6 x 10.2"
Cassette dimensions	L2 x B2	mm / in	740 x 395 / 29.1 x 15.6"	740 x 580 / 29.1 x 22.8"	740 x 580 / 29.1 x 22.8"
Connecting rod with joint	Length	mm / in	2x 1 540 / 60.6"	2x 1 540 / 60.6"	2x 1 540 / 60.6"
Cassettes adjustable from - to	G - H	mm / in	585 - 1 155 / 23 - 45.5"	700 - 2 800 / 27.6 - 110.2"	700 - 2 800 / 27.6 - 110.2"
Supporting surface of turnable	Ø C	mm / in	250 / 9.8"	250 / 9.8"	250 / 9.8"
Dimensions	L1 x B1	mm / in	650 x 1 060 / 25.6 x 41.7"	650 x 1 400 / 25.6 x 55.1"	650 x 1 400 / 25.6 x 55.1"
Handlebar with pulling eye	Length	mm / in	1 590 / 62.6"	1 590 / 62.6"	1 590 / 62.6"
Weight JUWathan plus	kg / lbs	320 / 705	289 / 637	450 / 992	410 / 904
Order-no. with JUWathan		09 400 200-H	10 400 200-H	09 600 200-H	10 600 200-H
Order-no. with JUWathan Professional		09 400 205-H	10 400 205-H	09 600 205-H	10 600 205-H

Sketch JL 80 H



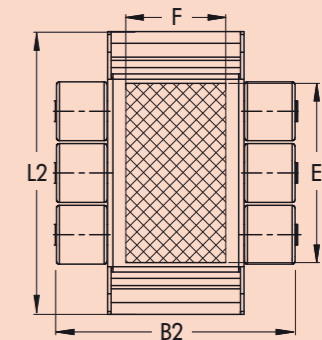
Sketch JFB 80 H



Advantages in detail

- Outfitted with highest quality rollers as standard.
- Unrivalled: Small and lightweight trolleys at super high capacity.
- Reduced weight through advanced construction of frames.
- All transport trolleys are ready for use: The steerable transport trolley is fitted with a ball bearing supported turntable and a handlebar (as shown in picture). The adjustable-width transport trolley consists of two transport units and connecting rods.

Sketch JFB 120 H



Type	Sketch	160 metric tons		120 metric tons
		JL 80 H	JFB 80 H	JFB 120 H
Load capacity	kg / lbs	80 000 / 176 000	80 000 / 176 000	120 000 / 265 000
Number of castors	pcs	16	16	24
Castors dimensions	Ø x l	mm / in 200 x 170 / 7.9 x 6.7"	200 x 170 / 7.9 x 6.7"	200 x 170 / 7.9 x 6.7"
Fitting height	mm / in	240 / 9.4"	240 / 9.4"	240 / 9.4"
Supporting surface per cassette	E x F	mm / in	400 x 260 / 15.7 x 10.2"	440 x 300 / 17.3 x 11.8"
Cassette dimensions	L2 x B2	mm / in	750 x 820 / 29.5 x 32.2"	960 x 830 / 37.7 x 32.6"
Connecting rod with joint	Length	mm / in	2x 3 000 / 118"	2x 3 000 / 118"
Cassettes adjustable from - to	G - H	mm / in	1 630 - 3 380 / 64.1 - 132.9"	1 630 - 3 380 / 64.1 - 132.9"
Supporting surface of turnable	Ø C	mm / in	250 / 9.8"	
Dimensions	L1 x B1	mm / in	820 x 1 900 / 32.2 x 74.7"	
Handlebar with pulling eye	Length	mm / in	1 590 / 62.6"	
Weight JUWathan plus	kg / lbs	723 / 1 594	565 / 1 246	815 / 1 797
Order-no. with JUWathan		09 800 200-H	10 800 200-H	10 912 200-H
Order-no. with JUWathan Professional		09 800 205-H	10 800 205-H	10 912 205-H

NEU

Kreiselfahrwerk JKB

Bauhöhe 110 mm



JKB 1,5



JKB 3

Transportgewicht bis		1,5 to	3 to	3 to	6 to
Typ	Skizze	JKB 1,5 K	JKB 1,5 Set	JKB 3 K	JKB 3 Set
Bestehend aus		1x JKB 1,5 K	2x JKB 1,5 K	1x JKB 3 K	2x JKB 3 K
Traglast	kg	1 500	3 000	3 000	6 000
Anzahl der Rollen	Stück	6	2 x 6	8	2 x 8
Abmessungen der Rollen	Ø x l	mm	85 x 43	85 x 43	85 x 43
Einbauhöhe	mm	110	110	110	110
Auflagefläche je Kasette	Ø C	mm	150	150	250
Abmessungen Kasette	L1 x B1	mm	465 x 490	575 x 460	575 x 460
Gewicht mit JUWAmid	kg	20	40	30	60
Bestell-Nr. mit JUWAmid		14 015 085-P	14 015 085-D	14 030 085-P	14 030 085-D

Vorteile im Detail

- Optionale Verbindungsstange kann ohne Werkzeug einfach über den Deichselhalter am Tragegriff angeklemt werden.
- Geringes Eigengewicht bei gleichzeitig hoher Traglast.
- Um 360° drehbar durch kugelgelagerte Lenkrollen.
- Einbauhöhe passend zu Lenk- und Transportfahrwerken der Serie K.
- Alle Geräte auch im Set mit Zubehör (siehe Hauptkatalog Seite 12) lieferbar.
- Konkurrenzlos: Durch die geringe Breite der Lenkrollen wird der Lenk- und Drehwiderstand auf ein Minimum reduziert.
- Die Fahrwerke JKB 3-7,5 können an den dafür vorgesehenen Öffnungen mit Standard-Zurrgurten mit dem Transportgut verbunden werden.
- Zusätzlich sind an den Fahrwerken JKB mittige Bohrungen angebracht, um das Fixieren des Transportguts zu ermöglichen.
- Tipp: Bei der Auswahl des passenden Kreiselfahrwerks empfehlen wir eine Zuladung von ca. 2/3 der maximalen Traglast. Damit erhalten Sie den besten Kompromiss zwischen Zuladung, Ergonomie und Handling der Geräte.



JUNG
Hebe- und
Transporttechnik
GmbH

JUNG Hebe- und
Transporttechnik GmbH
Biegelwiesenstraße 5 – 7
71334 Waiblingen
☎ (0 71 51) 3 03 93-0
📠 (0 71 51) 3 03 93-19
www.jung-hebetechnik.de
info@jung-hebetechnik.de

NEU

Kreiselfahrwerk JKB

Bauhöhe 110 mm



JKB 4



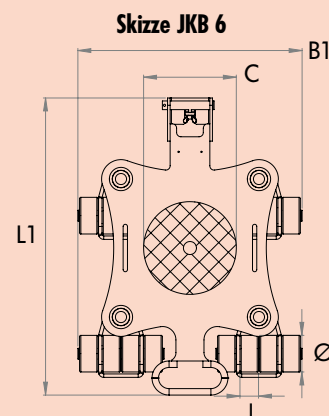
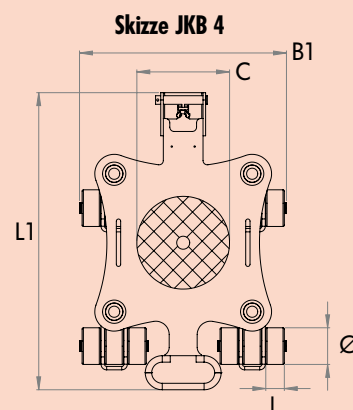
JKB 6



JKB 7,5

Transportgewicht bis		4 to	8 to	6 to	12 to
Typ	Skizze	JKB 4 K	JKB 4 Set	JKB 6 K	JKB 6 Set
Bestehend aus		1x JKB 4 K	2x JKB 4 K	1x JKB 6 K	2x JKB 6 K
Traglast	kg	4 000	8 000	6 000	12 000
Anzahl der Rollen	Stück	12	2 x 12	16	2 x 16
Abmessungen der Rollen	Ø x l	mm	85 x 43	85 x 43	85 x 43
Einbauhöhe	mm	110	110	110	110
Auflagefläche je Kassette	Ø C	mm	250	250	250
Abmessungen Kassette	L1 x B1	mm	690 x 475	690 x 475	690 x 525
Gewicht mit JUWamid	kg	43	86	44	88
Bestell-Nr. mit JUWamid		14 041 085-P	14 041 085-D	14 061 085-P	14 061 085-D

Transportgewicht bis		7,5 to	15 to
Typ	Skizze	JKB 7,5 K	JKB 7,5 Set
Bestehend aus		1x JKB 7,5 K	2x JKB 7,5 K
Traglast	kg	7 500	15 000
Anzahl der Rollen	Stück	20	2 x 20
Abmessungen der Rollen	Ø x l	mm	85 x 43
Einbauhöhe	mm	110	110
Auflagefläche je Kassette	Ø C	mm	250
Abmessungen Kassette	L1 x B1	mm	910 x 660
Gewicht mit JUWamid	kg	63,5	127
Bestell-Nr. mit JUWamid		14 075 085-P	14 075 085-D



JUNG Hebe- und
Transporttechnik GmbH
Biegelwiesenstraße 5 – 7
71334 Waiblingen
☎ (0 71 51) 3 03 93-0
✉ (0 71 51) 3 03 93-19
www.jung-hebetechnik.de
info@jung-hebetechnik.de



Jack Series JH-G plus

Load capacity up to 10 metric tons



JH 6 G plus

JH 10 G plus

JH 10 G plus ku

Jack Series JH-G plus

Load capacity up to 20 metric tons

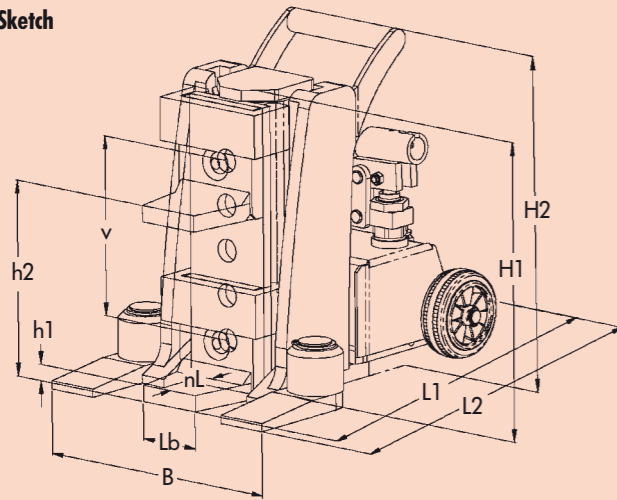


JH 15 G plus

JH 20 G plus

Inspection accordingly technical regulation BGV D 8 (German) and ANSI/ASME (USA)

Sketch



JH 10 G plus combined with our new Multi-Purposed trolleys.

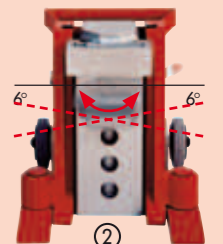
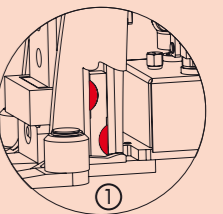
Inspection accordingly technical regulation BGV D 8 (German) and ANSI/ASME (USA)



Advantages in detail



- Reduced friction through slide shoes that are mobile in their seats. Under application a larger contact surface guarantees better force distribution. The resulting advantages are less friction, more power and reduced wear of the lifting track than with conventional jacks (see picture 1).
- Reduced maintenance costs through easy to change slide shoes and exchangeable pump unit.
- Extremely lightweight with high performance through the use of high-quality material and innovative design changes.
- Continual adjustment to the load through swivelling safety toe. Secure stability in every situation even in lifted position (see picture 2).
- JH 15 / JH 20 G plus serial outfitted with fast stroke. Also available with spring return.



Type	Sketch	JH 6 G plus	JH 10 G plus	JH 10 G plus ku
Full load capacity*	kg / lbs	6000 / 13200	10000 / 22000	10000 / 22000
Stroke	mm / in	140 / 5.5"	150 / 5.9"	108 / 4.3"
Minimum lift toe height	h 1 mm / in	12 / 0.5"	15 / 0.6"	15 / 0.6"
Maximum lift toe height	h 2 mm / in	157 / 6.2"	180 / 7.1"	138 / 5.4"
Lift toe adjustment	V mm / in	6 x 29 / 1.1"	5 x 41 / 1.6"	4 x 41 / 1.6"
Top plate height	H 1 mm / in	245 / 9.6"	275 / 10.8"	235 / 9.3"
Toe width front	Lb mm / in	50 / 2.0"	60 / 2.4"	60 / 2.4"
Toe depth	nL mm / in	50 / 2.0"	55 / 2.2"	55 / 2.2"
Length feet in front	L2 mm / in	326 / 12.8"	346 / 13.6"	346 / 13.6"
Length feet on side	L1 mm / in	311 / 12.2"	330 / 13"	330 / 13"
Width	B mm / in	233 / 9.2"	247 / 9.7"	247 / 9.7"
Height	H2 mm / in	280 / 11"	310 / 12.2"	235 / 9.3"
Cylinder volume	L / in ³	0,18 / 11.5"	0,3 / 19.6"	0,21 / 12.82"
Weight	kg / lbs	23 / 50.7	29 / 63.9	26 / 57.3
Order number		01 060 102-G	01 100 102-G	01 100 103-G ku

*load on top plate

Type	Sketch	JH 15 G plus	JH 20 G plus
Full load capacity*	kg / lbs	15000 / 33000	20000 / 44000
Stroke	mm / in	175 / 6.9"	190 / 7.5"
Minimum lift toe height	h 1 mm / in	20 / 0.8"	20 / 0.8"
Maximum lift toe height	h 2 mm / in	205 / 8.1"	225 / 8.9"
Lift toe adjustment	V mm / in	5 x 46 / 1.8"	5 x 51 / 2"
Top plate height	H 1 mm / in	310 / 12.2"	340 / 13.4"
Toe width front	Lb mm / in	70 / 2.8"	80 / 3.1"
Toe depth	nL mm / in	66 / 2.6"	66 / 2.6"
Length feet in front	L2 mm / in	415 / 16.3"	425 / 16.7"
Length feet on side	L1 mm / in	401 / 15.8"	405 / 15.9"
Width	B mm / in	300 / 11.8"	322 / 12.7"
Height	H2 mm / in	310 / 12.2"	340 / 13.4"
Cylinder volume	L / in ³	0,5 / 30.2"	0,73 / 44.6"
Weight	kg / lbs	48 / 105.8	60 / 132.3
Order number		01 150 102-G	01 200 102-G

*load on top plate